

CompactFlash to PC Card Adapter (Part # FCFPC-ADPT-02)



The California PC FLASH CF to PC Card/PCMCIA Adapter is designed to fulfill various specialized applications in normal or harsh operating environments. With the great advantages of non-volatile and solid state, the CompactFlash Adapter allows you to use laptop computers and other systems that utilize a PC Card slot. California PC CompactFlash to PC Card Adapter has the same form, fit, and function as other leading brands of adapters. The California PC Adapter will work with all Type I CompactFlash memory cards.

Features: Robust stainless steel metal housing with jewel case included, 3 year warranty, plugs into a standard Type I/II PC Card slot

CF to PC Card Adapter

- Rugged for harsh environments
- Low weight
- Noiseless
- Supports all operating systems
- Capacity: Supports all CF Type I capacities
- Pins: 50 pins (CF) to 68 Pin PCMCIA (PC Card)
- Conforms to CompactFlash Adapter (CFA) standards
- RoHS Compliant

Performance

Data Transfer Rate To/From Flash	Depends on CF Card
----------------------------------	--------------------

Environmental Specification

Industrial Temperature	Operating Thermal Shock	-20°C + 60°C (Estimated) -55°C + 85°C (Estimated)
	Humidity	Operating Max Non-operating Max
		5 ~ 95% non-condensing 5 ~ 95% non-condensing

Warranty

Warranty	3 Years
----------	---------

Part Number

CF to PC Card Adapter	FCFPC-ADPT-02
-----------------------	---------------

216 Avenida Fabricante, Ste 108
San Clemente, CA 92672

Phone: (949) 487-1213
Fax: (949) 487-1866
Toll Free: (877) 487-1213

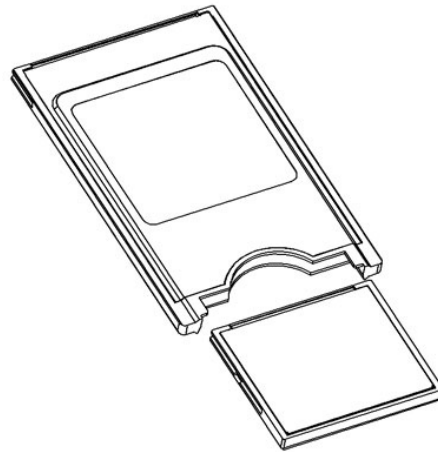
E-mail: sales@CaliforniaPC.com

For more product info visit:
www.CaliforniaPC.com

California Peripherals & Components, Inc.
www.CaliforniaPC.com



Dimensions and Materials:



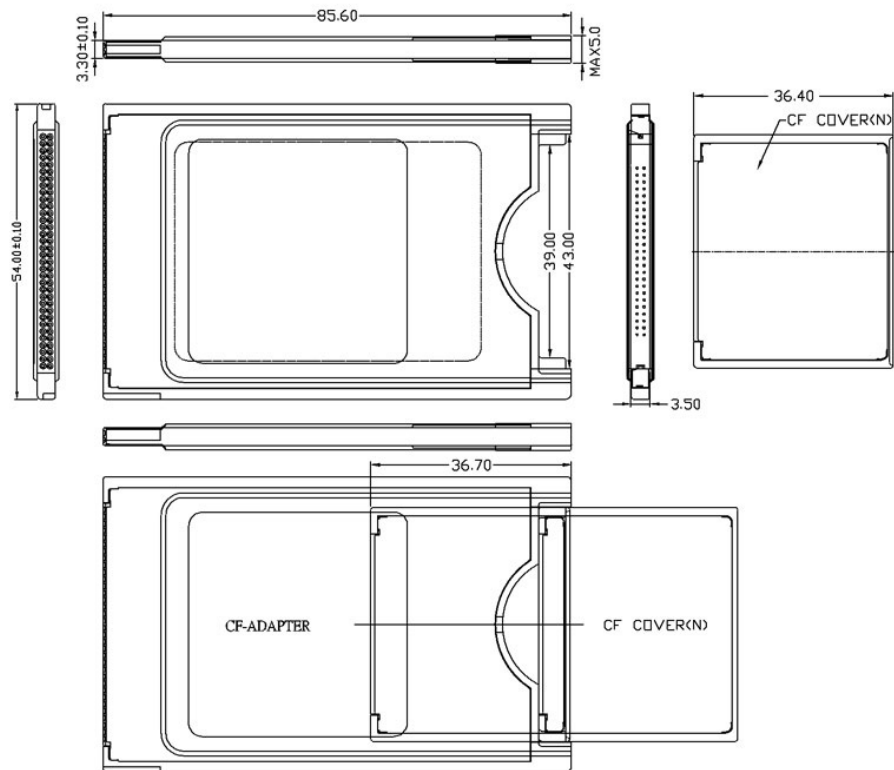
MATERIALS:

Frame: PBT Glass Fiber Reinforced (black)
 Cover: Stainless Steel
 Header Terminal: Bronze
 Socket Terminal: Phosphor Bronze
 Head and Socket Insulator: Liquid Crystal Crystal

Finishes:

Header Terminal: 10u Gold on contact area and tin solder

CF to PC Card Adapter



216 Avenida Fabricante, Ste 108
 San Clemente, CA 92672

Phone: (949) 487-1213
 Fax: (949) 487-1866
 Toll Free: (877) 487-1213

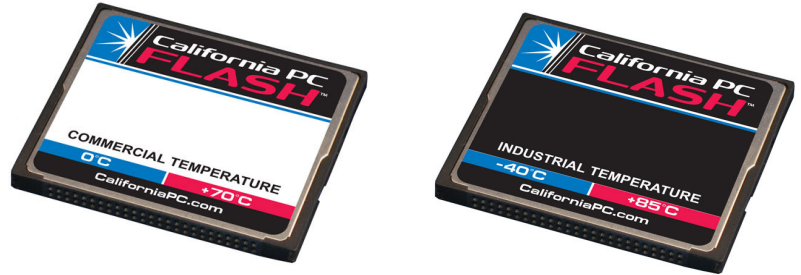
E-mail: sales@CaliforniaPC.com

For more product info visit:
www.CaliforniaPC.com

California Peripherals & Components, Inc.
www.CaliforniaPC.com



Optional California PC CF Cards for use with Adapter:



CF to PC Card Adapter
CF to PC Card Adapter

Part Numbers*

Capacity	Commercial Temperature Part Nos.	Industrial Temperature Part Nos.
16MB	FCF-16MB-02	FCFI-16MB-02
32MB	FCF-32MB	FCFI-32MB
64MB	FCF-64MB	FCFI-64MB
128MB	FCF-128MB	FCFI-128MB
256MB	FCF-256MB	FCFI-256MB
512MB	FCF-512MB	FCFI-512MB
1GB	FCF-1024MB	FCFI-1024MB
2GB	FCF-2048MB	FCFI-2048MB
4GB	FCF-4096MB	FCFI-4096MB
8GB	FCF-8192MB	FCFI-8192MB
16GB	FCF-16384MB	FCFI-16384MB

*Removable, PIO 4 Disk Mode is Default

Available Options:

- F = Fixed
- A = Auto Detect
- D2 = Removable, DMA 2
- U4 = Removable, UDMA 4
- D2A = DMA 2, Auto Detect
- U4A = UDMA 4, Auto Detect
- D2F = DMA 2, Fixed
- U4F = UDMA 4, Fixed

216 Avenida Fabricante, Ste 108
San Clemente, CA 92672

Phone: (949) 487-1213
Fax: (949) 487-1866
Toll Free: (877) 487-1213

E-mail: sales@CaliforniaPC.com

For more product info visit:
www.CaliforniaPC.com

California Peripherals & Components, Inc.
www.CaliforniaPC.com

