

## 2.5" SATA Flash Disk Drive



The California PC FLASH **Industrial SATA 2.5" Flash Disk Drive** uses NAND Type SLC flash memory for fast read/write times. The California PC FLASH Commercial Grade 2.5" SATA Flash Disk Drive is rated to **(-40°C to +85°C)** for use in applications in normal or harsh operating environments. With the great advantages of non-volatile and solid state, the 2.5" SATA Flash Disk Drives are ideal replacements for conventional rotating hard disk drives. The industry standard Serial ATA command set simplifies the integration of the

SATA flash disk into almost any computing platform. No system modifications are required to place a California PC FLASH SATA Flash Disk Drive in an existing application, making it easy to upgrade computing platform reliability to solid state performance.

**2.5" SATA Flash Disk Drive  
128MB-32GB**

**Industrial Temperature/  
Industrial Grade**

- SATA Interface: Serial ATA command set compatible
- NAND type SLC flash based
- High performance and Temperature rated **-40°C to +85°C**
- Designed for Harsh Environments
- 2.5" SATA Hard Disk Drive form factor
- Wear-Leveling and advanced bad sector management algorithms for Endurance
- Low Power Consumption
- MTBF > 1,000,000 hours
- Capacity: 64GB, 128GB
- Vibration 16G (operating)
- Shock 1500G (operating)

### Environmental Specifications

|                |                            |                         |
|----------------|----------------------------|-------------------------|
| Temperature    | Operating:                 | 40°C to +85°C           |
| Humidity       | Operating & Non-operating: | 5% ~ 95% non-condensing |
| Acoustic Noise | Operating & Non-operating  | 0dB                     |
| Vibration      | Operating & Non-operating  | 16G                     |
| Shock          | Operating & Non-operating  | 1500G                   |

32238 Paseo Adelanto Suite E  
San Juan Capistrano, CA 92675

Phone: (949) 487-1213  
Fax: (949) 487-1866

E-mail: sales@CaliforniaPC.com

For more product info. visit:  
[www.CaliforniaPC.com](http://www.CaliforniaPC.com)



2.5" SATA Flash Disk Drive  
32GB-128GB

Commercial Temperature/  
Commercial Grade

32238 Paseo Adelanto Suite E  
San Juan Capistrano, CA 92675

Phone: (949) 487-1213  
Fax: (949) 487-1866

E-mail: [sales@CaliforniaPC.com](mailto:sales@CaliforniaPC.com)

For more product info. visit:  
[www.CaliforniaPC.com](http://www.CaliforniaPC.com)

## Power Requirement

|                      |             |
|----------------------|-------------|
| DC Input Voltage)    | 5V±10%      |
| Sequential Read      | 60MB (min)  |
| Sequential Write     | 45MB (min)  |
| Sequential Read IOPS | 58.675 IOPS |
| Access Time          | 0.1ms       |

## Reliability

|           |   |
|-----------|---|
| MTBF      | > 1,000,000 hours   |
| ECC       | Built-in EDC/ECC function, Wear-leveling Algorithms             |
| Endurance | Read: Unlimited, Write/Erase >140 years @50GB write-erase / day |
| Warranty  | 3 Years   |

## Power Cycle Test Report

| Test Item   | Power Cycle   |
|-------------|---|
| Test Method | Test on the flash disk drive with 8883 controller and SLC flash (128MB or higher capacity).<br>1. Power on.<br>2. Copy 10 files consecutively.<br>3. When copying the 10th file, perform sudden power down.<br>4. Power on.<br>5. Delete 10th file. Compare whether the first 9 files are correct or not.<br>6. If correct, perform DOS format<br>7. Return to item 1 and repeat process. |
| Criteria    | 1,000 times   |
| Test Times  | 100,966,741 times (= 1,000 hour / cycle)  |
| Error Times | 0   |
| Test Result | PASS  |

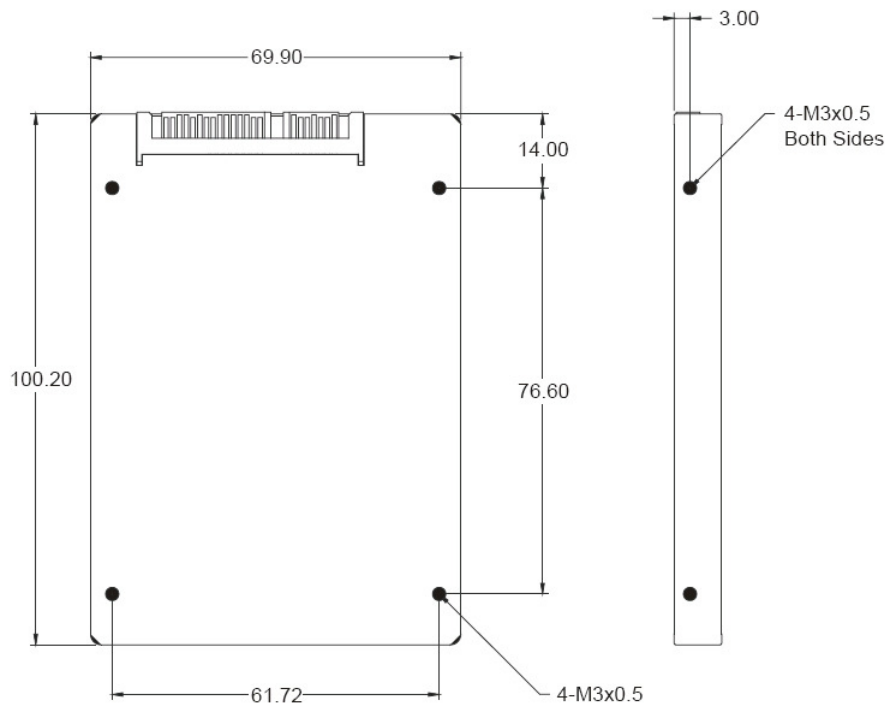


**2.5" SATA Flash Disk Drive  
32GB-128GB**

**Commercial Temperature/  
Commercial Grade**

**Part Numbers:**

|       |               |      |                 |
|-------|---------------|------|-----------------|
| 16MB  | FDK25SI-16MB  | 1GB  | FDK25SI-1024MB  |
| 32MB  | FDK25SI-32MB  | 2GB  | FDK25SI-2048MB  |
| 64MB  | FDK25SI-64MB  | 4GB  | FDK25SI-4096MB  |
| 128MB | FDK25SI-128MB | 8GB  | FDK25SI-8192MB  |
| 256MB | FDK25SI-256MB | 16GB | FDK25SI-16384MB |
| 512MB | FDK25SI-512MB |      |                 |



32238 Paseo Adelanto Suite E  
San Juan Capistrano, CA 92675

Phone: (949) 487-1213  
Fax: (949) 487-1866

E-mail: sales@CaliforniaPC.com

For more product info. visit:  
[www.CaliforniaPC.com](http://www.CaliforniaPC.com)

California Peripherals & Components, Inc.  
[www.CaliforniaPC.com](http://www.CaliforniaPC.com)

